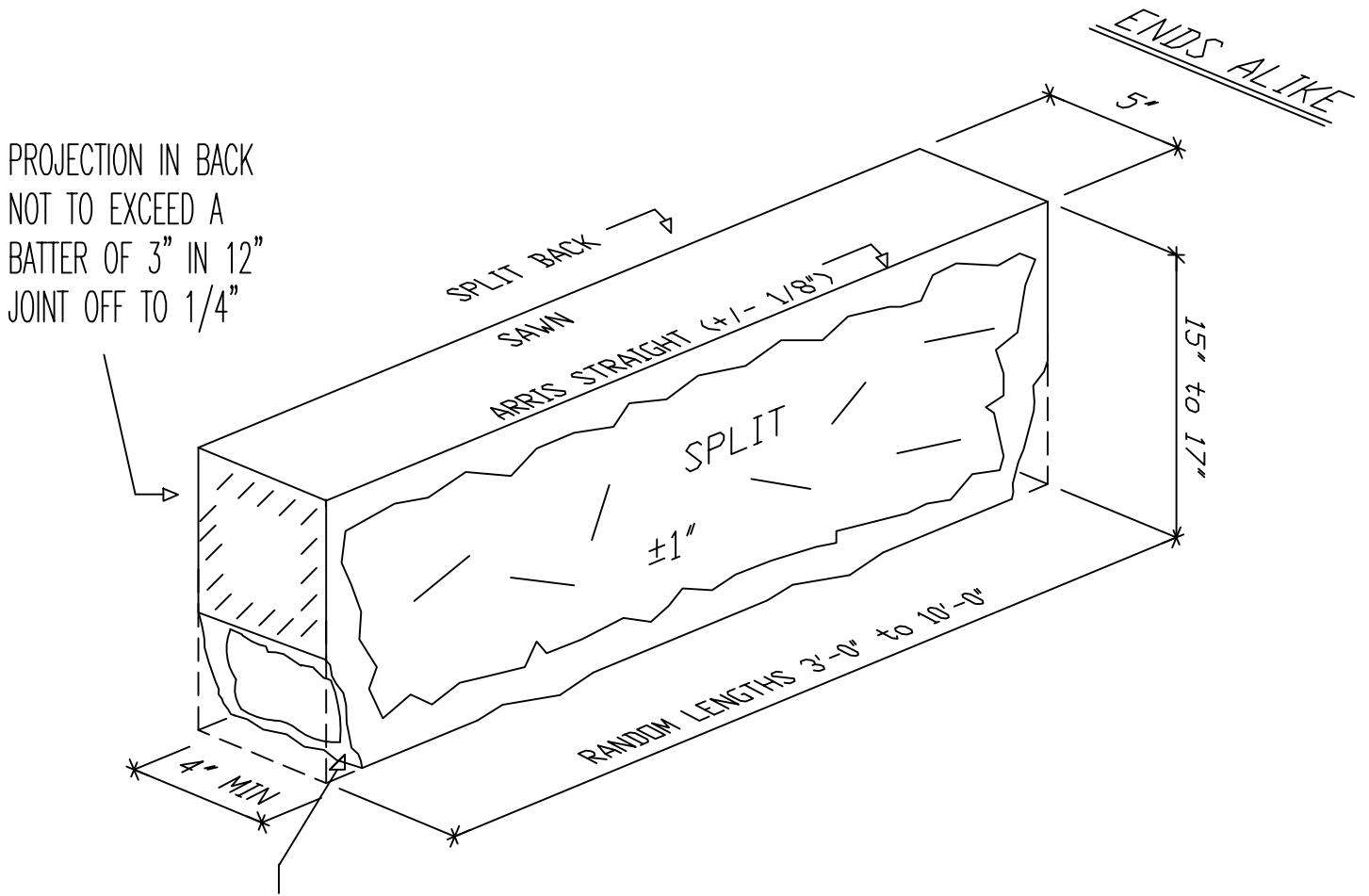


ORDER #	CODE #	MADE BY:	LENGTH:		PATTERNS:	
PIECE #	FINISH	CHECKED BY:	WIDTH:		TOP:	
GRANITE TYPE		FOREMAN:	THICKNESS:		BOTTOM:	
			PRIORITY:	PLANT:	FACE:	
			DATABASE:		TOLERANCE:	
					SECTION:	

5"x16" TYPE "A" GRANITE CURB



ENDS MAY BREAK BACK
NOT OVER 6" AFTER FIRST
8" FROM TOP