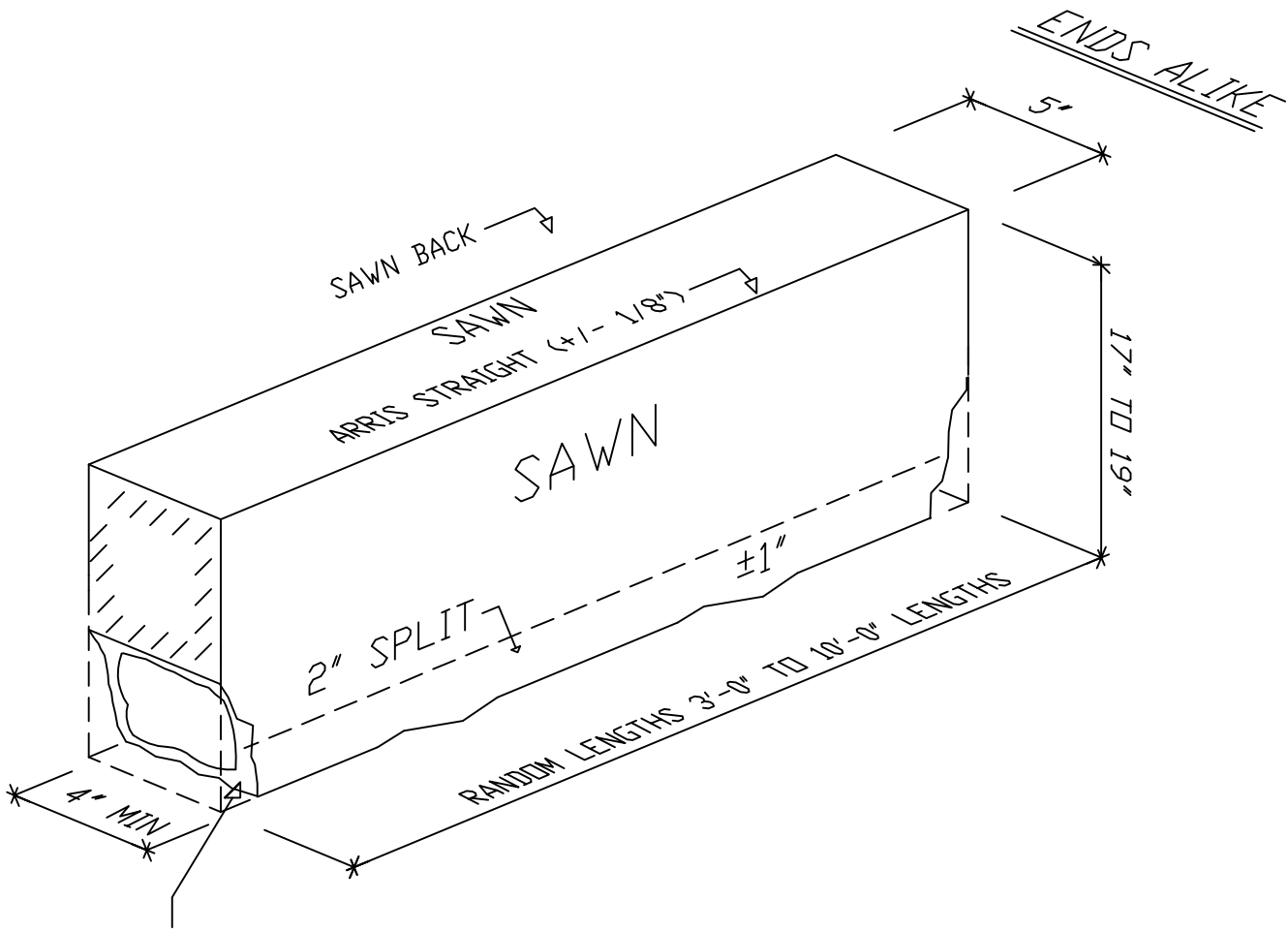




ORDER #	CODE #	MADE BY:	PATTERNS:		
PIECE #	FINISH	CHECKED BY:	LENGTH:	TOP:	
GRANITE TYPE		FOREMAN:	WIDTH:	BOTTOM:	
			THICKNESS:	FACE:	
			PRIORITY:	PLANT:	SECTION:
			DATABASE:		TOLERANCE:

5"x18" TYPE B GRANITE CURB



ENDS MAY BREAK BACK
NOT OVER 6" AFTER FIRST
8" FROM TOP